

BALDOR® • RELIANCE

Product Information Packet

CEM3211T

3HP, 1765RPM, 3PH, 60HZ, 182TC, 3630M, OPSB, F1

| Part Detail | | | | | | | |
|-------------|-------|----------------|-------|-------------|----------|---------------|------------|
| Revision: | B | Status: | PRD/A | Change #: | | Proprietary: | No |
| Type: | AC | Prod. Type: | 3630M | Elec. Spec: | 36WGS658 | CD Diagram: | CD0005 |
| Enclosure: | OPSB | Mfg Plant: | | Mech. Spec: | 36B102 | Layout: | 36LYB102 |
| Frame: | 182TC | Mounting: | F1 | Poles: | 04 | Created Date: | 06-01-2011 |
| Base: | RG | Rotation: | R | Insulation: | F | Eff. Date: | 03-31-2015 |
| Leads: | 9#16 | | | | | Replaced By: | |
| Literature: | | Elec. Diagram: | | | | | |

| Nameplate NP1259L | | | | | | | |
|-------------------|--------------|----------------|------|-----|---|----|---|
| CAT.NO. | CEM3211T | | | | | | |
| SPEC. | 36B102S658G1 | | | | | | |
| HP | 3 | | | | | | |
| VOLTS | 230/460 | | | | | | |
| AMP | 8.4/4.2 | | | | | | |
| RPM | 1765 | | | | | | |
| FRAME | 182TC | HZ | 60 | PH | 3 | | |
| SER.F. | 1.15 | CODE | K | DES | B | CL | F |
| NEMA-NOM-EFF | 89.5 | PF | 74 | | | | |
| RATING | 40C AMB-CONT | | | | | | |
| CC | 010A | USABLE AT 208V | 8.5 | | | | |
| DE | 6206 | ODE | 6205 | | | | |
| ENCL | OPSB | SN | | | | | |
| | | | | | | | |

| Parts List | | |
|----------------|--|----------|
| Part Number | Description | Quantity |
| SA224433 | SA 36B102S658G1 | 1.000 EA |
| RA211544 | RA 36B102S658G1 | 1.000 EA |
| S/P107-000-001 | SUPER E PROC'S-FS, WS & CK PLTS | 1.000 EA |
| 36CB3004 | 36 CB CASTING W/1.09 DIA LEAD HOLE @ 6:0 | 1.000 EA |
| 51XB1016A08 | 10-16X 1/2HXWSSLD SERTYB | 2.000 EA |
| 11XW1032G06 | 10-32 X .38, TAPTITE II, HEX WSHR SLTD U | 1.000 EA |
| HW3001B01 | BRASS CUP WASHER, FOR #8 SCREW | 1.000 EA |
| 36EP3200A01SP | FR ENDPLATE, MACH | 1.000 EA |
| HW4500A01 | 1641B(ALEMITE)400 UNIV, GREASE FITT | 1.000 EA |
| HW5100A05 | WVY WSHR F/205 & 304 BRGS | 1.000 EA |
| 36EP3403A02 | PU ENDPLATE, MACH | 1.000 EA |
| HW4500A01 | 1641B(ALEMITE)400 UNIV, GREASE FITT | 1.000 EA |
| 10XN2520A28 | 1/4-20X 1 3/4 HEX HD | 4.000 EA |
| HW1001A25 | LOCKWASHER 1/4, ZINC PLT .493 OD, .255 I | 4.000 EA |
| 36CB4516 | 36 LIPPED CB LID | 1.000 EA |
| 51XW0832A07 | 8-32 X .44, TAPTITE II, HEX WSHR SLTD SE | 4.000 EA |
| HW2501E16 | 3KEY, 1/4 SQ X 1.750 | 1.000 EA |
| HA7000A02 | KEY RETAINER RING, 1 1/8 DIA, 1 3/8 DIA | 1.000 EA |
| 85XU0407S04 | 4X1/4 U DRIVE PIN STAINLESS | 2.000 EA |
| MJ1000A75 | GREASE, POLYREX EM EXXON (USe 4824-15A) | 0.050 LB |
| MG1000Y03 | MUNSELL 2.53Y 6.70/ 4.60, GLOSS 20, | 0.022 GA |
| 36AD2004A01 | BAFFLE PLATE,MOD 36-SLTD BAND MTRS DELTA | 2.000 EA |
| HA3101A25 | THRUBOLT 1/4-20 X 11.000 OHIO ROD | 4.000 EA |
| LC0005E01 | CONN.DIA./WARNING LABEL (LC0005/LB1119N) | 1.000 EA |

| Parts List (continued) | | |
|-------------------------------|--|-----------------|
| Part Number | Description | Quantity |
| NP1259L | ALUM SUPER-E UL CSA-EEV CC NEMA PREMIUM | 1.000 EA |
| 36PA1000 | PKG GRP, PRINT PK1016A06 | 1.000 EA |
| MN416A01 | TAG-INSTAL-MAINT no wire (1200/bx) 11/14 | 1.000 EA |

AC Induction Motor Performance Data

Record # 33604 - Typical performance - not guaranteed values

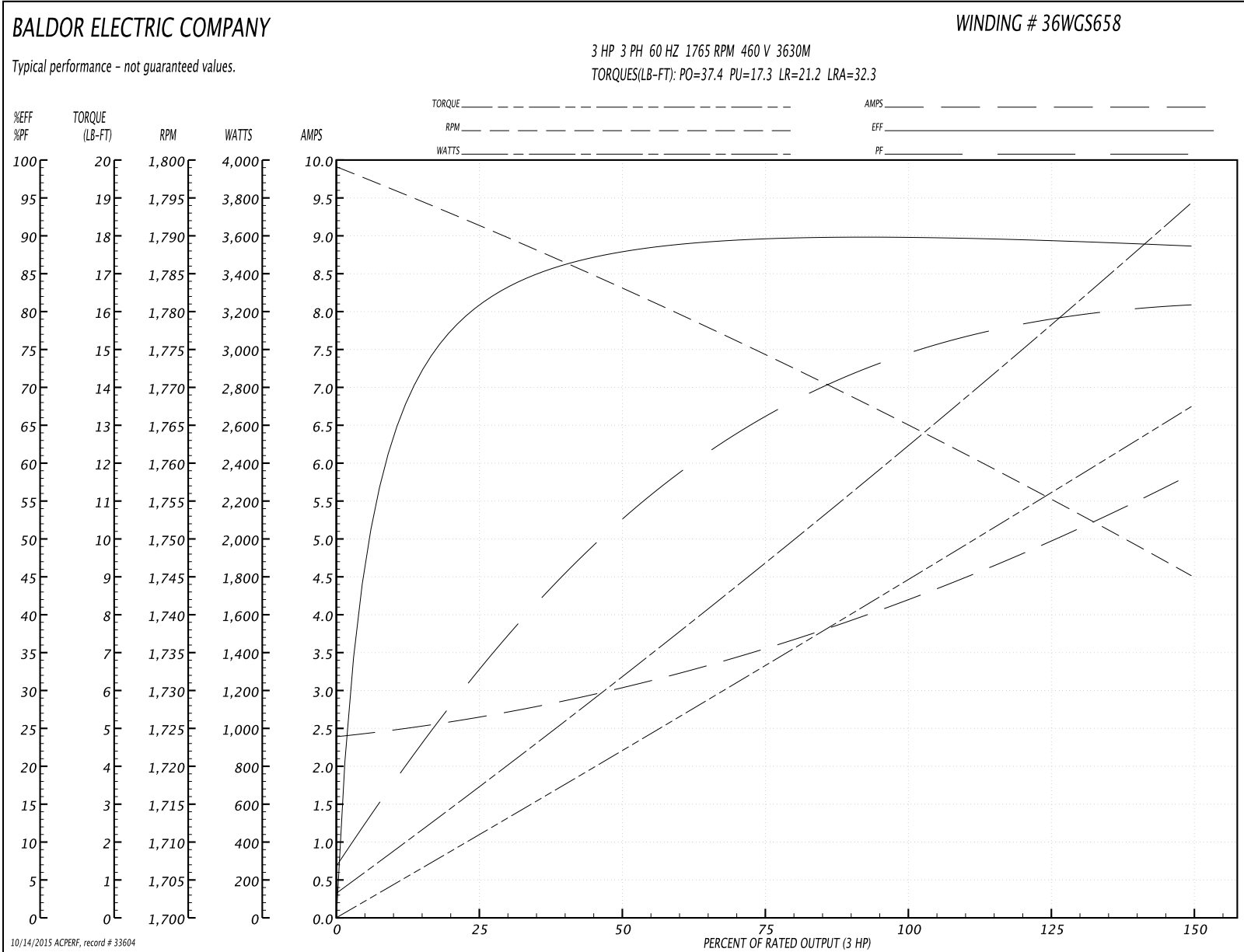
| | | |
|-------------------------------|--------------------|------------------------|
| Winding: 36WGS658-R001 | Type: 3630M | Enclosure: OPSB |
|-------------------------------|--------------------|------------------------|

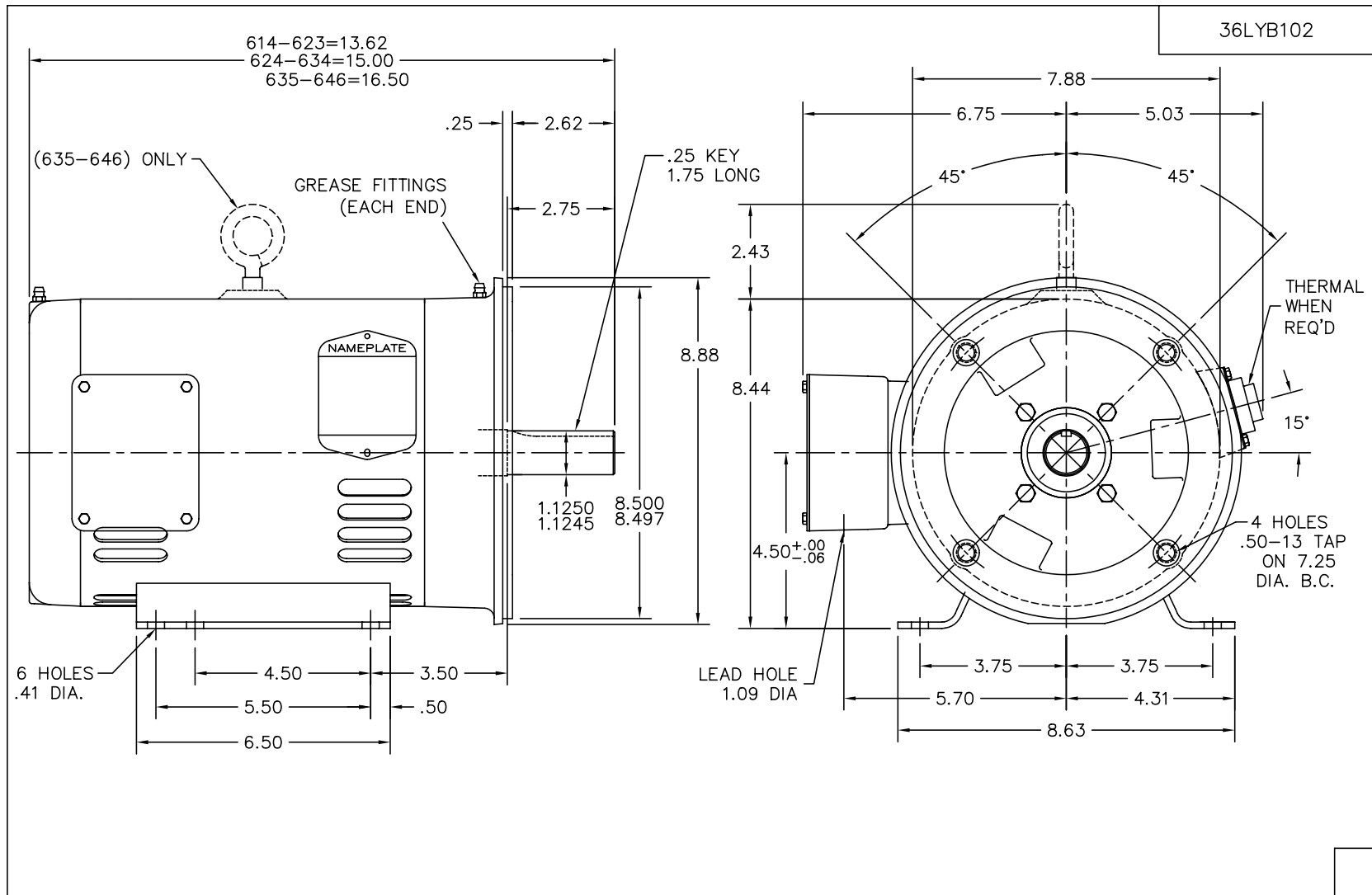
| Nameplate Data | | | | 460 V, 60 Hz: High Voltage Connection | |
|-----------------------|--------------|--------------|----|--|--------------------------|
| Rated Output (HP) | 3 | | | Full Load Torque | 8.87 LB-FT |
| Volts | 230/460 | | | Start Configuration | direct on line |
| Full Load Amps | 8.4/4.2 | | | Breakdown Torque | 37.4 LB-FT |
| R.P.M. | 1765 | | | Pull-up Torque | 17.3 LB-FT |
| Hz | 60 | Phase | 3 | Locked-rotor Torque | 21.2 LB-FT |
| NEMA Design Code | B | KVA Code | K | Starting Current | 32.3 A |
| Service Factor (S.F.) | 1.15 | | | No-load Current | 2.43 A |
| NEMA Nom. Eff. | 89.5 | Power Factor | 74 | Line-line Res. @ 25°C | 3.8716 Ω |
| Rating - Duty | 40C AMB-CONT | | | Temp. Rise @ Rated Load | 24°C |
| S.F. Amps | | | | Temp. Rise @ S.F. Load | 28°C |
| | | | | Rotor inertia | 0.279 LB-FT ² |

Load Characteristics 460 V, 60 Hz, 3 HP

| % of Rated Load | 25 | 50 | 75 | 100 | 125 | 150 | S.F. |
|-----------------|--------|------|--------|--------|--------|--------|------|
| Power Factor | 33 | 53 | 66 | 73 | 79 | 81 | 77 |
| Efficiency | 80.2 | 87.5 | 89.5 | 89.7 | 89.5 | 88.7 | 89.6 |
| Speed | 1791.1 | 1783 | 1774.5 | 1765.5 | 1755.7 | 1744.8 | 1760 |
| Line amperes | 2.6 | 2.99 | 3.54 | 4.25 | 4.97 | 5.83 | 4.68 |

Performance Graph at 460V, 60Hz, 3.0HP Typical performance - Not guaranteed values





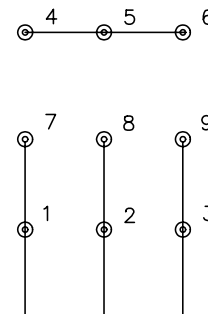
| | | | | | | | | | | | |
|---------------------------------------|--|------------|--|------------------------|--|--------------|--|---|--|------|--|
| CUST. NAME | | CUST. P.O. | | CERTIFIED BY | | MODEL | | INSUL | | AMB | |
| H.P. | | MTG | | TYPE | | R.P.M. | | VOLTS | | ENCL | |
| PHASE | | FREQ | | FRAME | | | | | | | |
| REV. DESC: OPSB WAS OPEN IN THE DESC. | | | | | | | | | | | |
| REV. LTR: D | | BY: SSS | | REVISED: 07/28/99 2:06 | | TDR: 0187013 | | | | | |
| FILE: AAA00048653 | | MDL: - | | | | | | BALDOR ELECTRIC Co. HORZ 182-4TC OPSB 36M | | | |
| MTL: - | | | | | | | | | | | |

36LYB102

CD0005

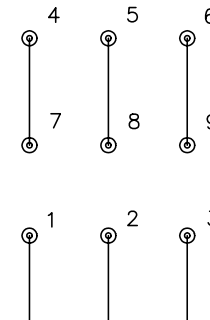


LOW VOLTAGE
(2Y)



LINE

HIGH VOLTAGE
(1Y)



LINE

NOTES:

1. INTERCHANGE ANY TWO LINE LEADS TO REVERSE ROTATION.
2. OPTIONAL THERMOSTATS ARE PROVIDED WHEN SPECIFIED.
3. ACTUAL NUMBER OF INTERNAL PARALLEL CIRCUITS MAY BE A MULTIPLE OF THOSE SHOWN ABOVE.
4. LEAD COLORS ARE OPTIONAL. LEADS MUST ALWAYS BE NUMBERED AS SHOWN.

| | | | |
|---|---------|-------------------------|--------------|
| REV. DESC: REVISE TO SHOW OPTIONAL COLORS | | | |
| REV. LTR: E | BY: JLP | REVISED: 01/19/99 10:15 | TDR: 0171435 |
| 90000 | | FILE: AAA00005140 | MDL: - |
| | | MTL: - | |

BALDOR ELECTRIC Co.

3PH, DV, 9 LEADS

CD0005